

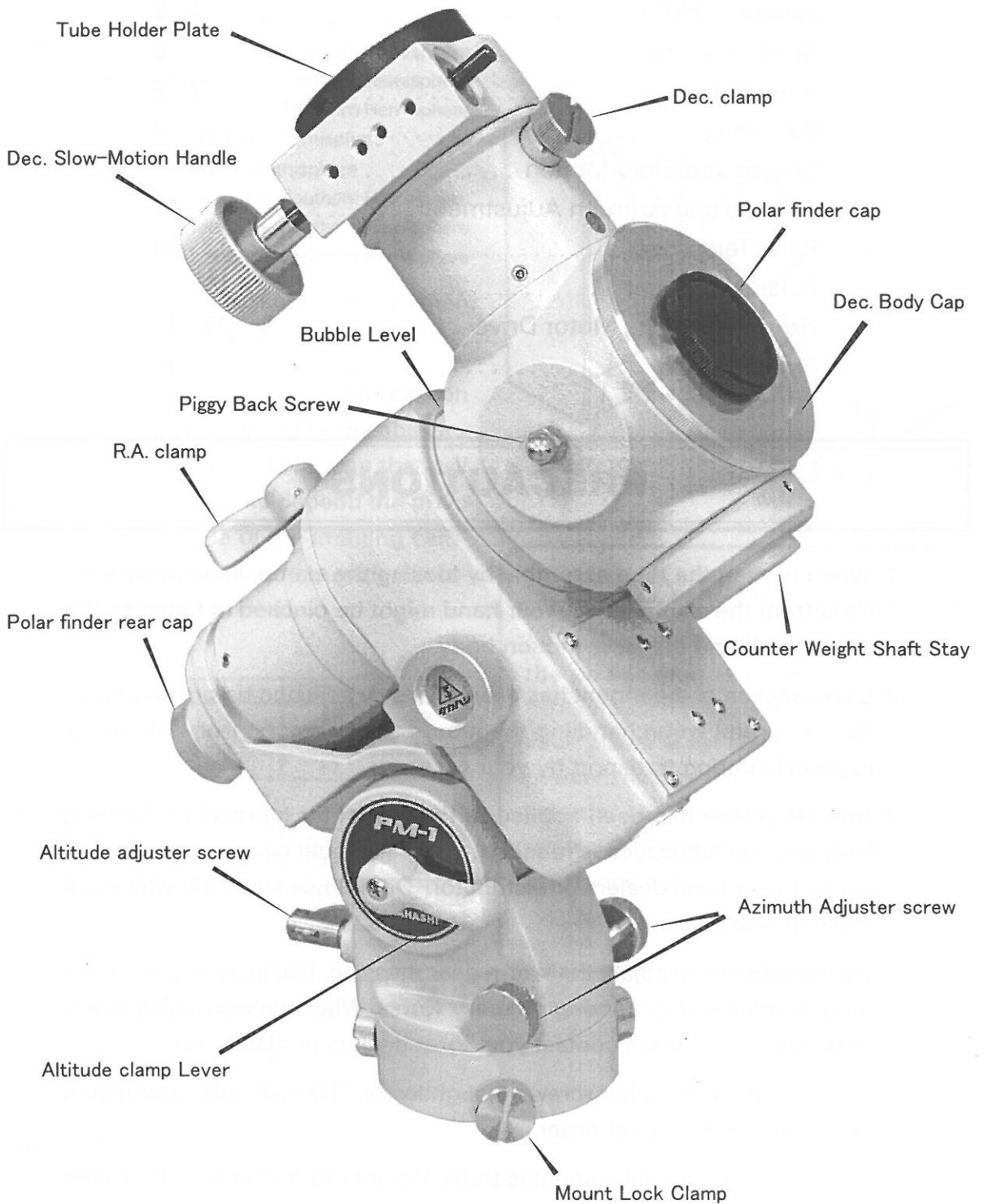
Equatorial Mount

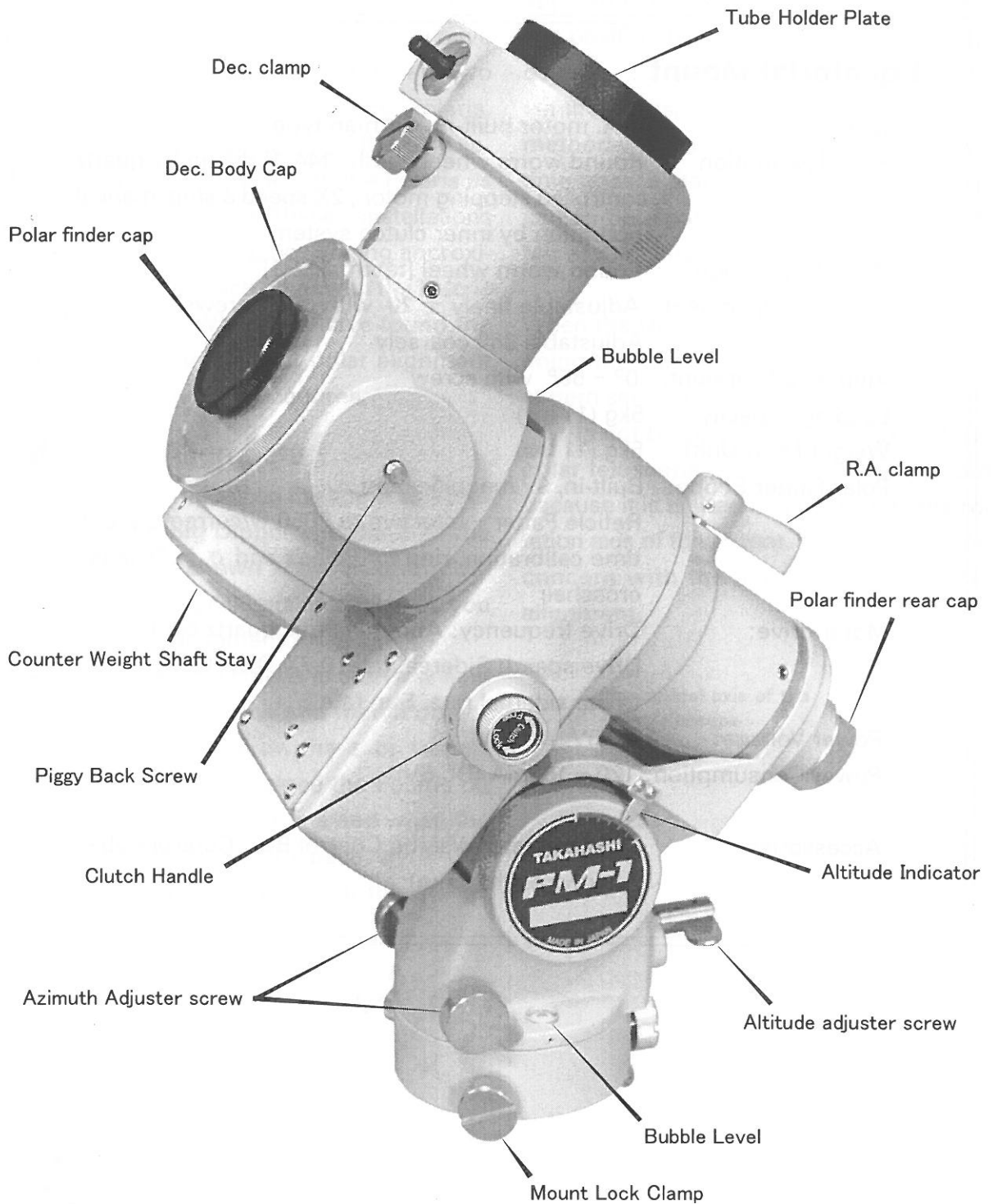
PM-1

INSTRUCTION MANUAL

TAKAHASHI

LAYOUT OF PM-1





Specifications

Equatorial Mount

Type:	R.A. motor built-in, German type
R.A. slow motion:	Round worm wheel [teeth: 144:1] driven by quartz controlled stepping motor , 2X speed & stop, manual operation by inner clutch system
Dec. slow motion:	Round worm wheel [teeth: 112:1]
Azimuth adjustment:	Adjustable finely ± 20 with dual screws Adjustable 360 coarsely
Altitude adjustment:	0° - 55° with screw
Loading capacity:	5kg (11 lbs)
Weight(Main Unit):	5kg (11 lbs)
Polar Finder Scope:	Built-in, 9x magnification Reticle Patter - effective to 2050 w/corrective and time calibration, ring for Polaris and σ in Octans, crosshair
Motor drive:	Drive frequency: About 140pps quartz control Drive speed: Sidereal rate, 0.7X, 0.5X 0.3X, to the sidereal rate, Sun rate
Power Voltage:	DC 6V
Power Consumption:	120 - 160mA (DC 6V)
Accessories:	1.4kg Counter-Weight, Control Box, Control Cable, Allen wrench (6mm)

ASSEMBLING

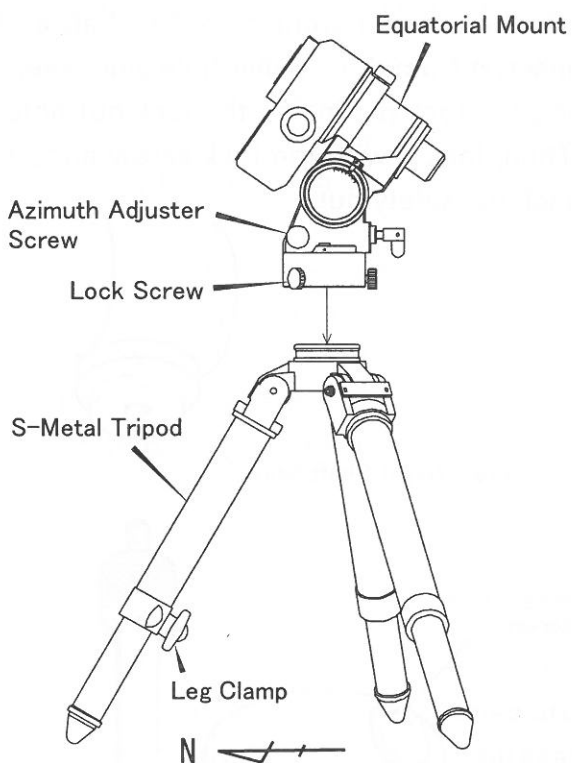
■ Assembling the Metal Tripod

The S-Metal Tripod has been developed for the PM-1 equatorial mount. Highly sturdy and durable, it can be set up instantly and most suited for the PM-1 mount.

This tripod is the two-step retractable type. Adjust the bottom legs according to the height for imaging and visual set-ups and firmly lock them.

■ Mounting the equatorial mount onto the tripod

After the tripod has been assembled, place one of the legs toward the celestial pole (to the north in the northern hemisphere and to the south in the southern hemisphere). Mount the PM-1 mount onto the tripod and lock it with the lock screws provided on the bottom of the mount.



■ Attaching the R.A. Slow-Motion Handle

Attach the manual slow-motion handle to the R.A. slow-motion axis. As a part of the slow-motion handle shaft is cut flat, so attach the slow-motion handle to touch the lock screw on the flat and tighten the lock screw. If the lock screw does not touch on the flat, the slow-motion handle can be loosened. To make certain, use a coin to tighten the screw. On the R.A. slow-motion axis housing, four screws are provided. These will be used for multi-applications mentioned later. Do not use the other purposes.

